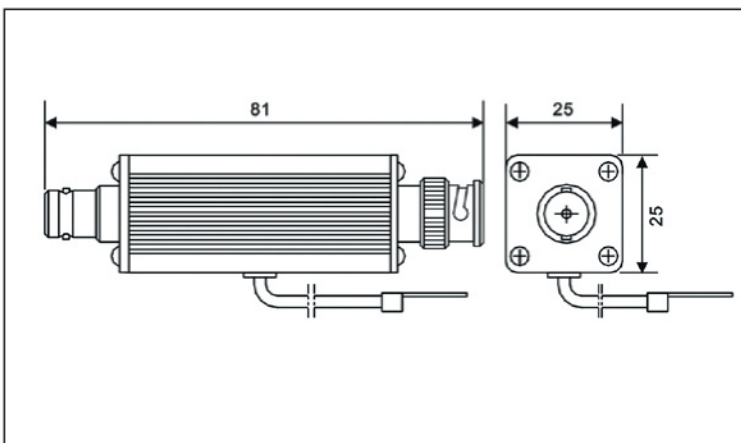


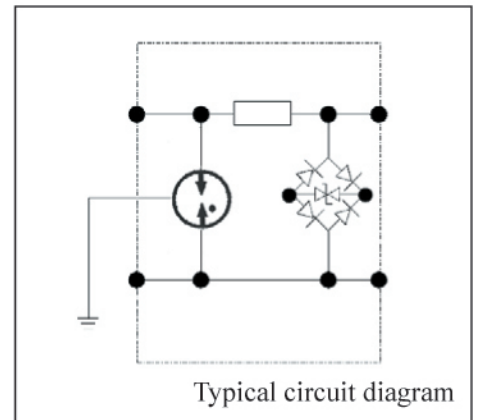
**BNC Connection**

Type: **D-05/BNC**  
**D-12/BNC**  
**D-24/BNC**

Surge arrester for coaxial Ethernet network systems protection against surges at the boundaries from lightning protection zone 0>3.



- Data network protector in according with IEC61643:21-2000.
- Limit the transients with gas discharge tubes and transzorb diodes.
- In aluminium housing.
- BNC connector for Ethernet network systems.
- Simple installation.
- Two-stage protection circuit.
- Also application for the protection of video signals; cameras and/or TV systems.



Technical Data

Model No.		D-05/BNC	D-24/BNC
Nominal voltage (V)	Un	5	24
Nominal Discharge current (8/20us,KA)	In	5	5
Max. Discharge Current (8/20us,KA)	Imax	10	10
Clamping Voltage (10/700us,V)	Core-shield	≤30	≤60
	Shield-Ground	≤300	
Residual Voltage line/ground (1KV/μs,V)	Up	≤600	
Transmission Speed (bps)	Vs	10Mbps	
Insertion loss	dB	≤0.5	
Response time	Ta	1ns	
Type of Connection	IN	Female	
	OUT	Male	
Dimensions	mm	42 X 25 X 25	
Environment Temperature(°C)	°C	-25~+70	

